

► DESCRIPTIONS

The MCX Micro miniature coaxial connector does not only represent a smaller version of the SMB coaxial connector.

The essential functional elements such as center contacts and insulators correspond with those of the SMB housing and engaging mechanism, however are made to the reliability of the SMB but require up to 30% less space, than the SMB.

In addition to these mechanical advantages, this connector range also meets the electrical requirement of MIL-C-39012 SMB.

The MCX range can be used up to a frequency of 2GHz.

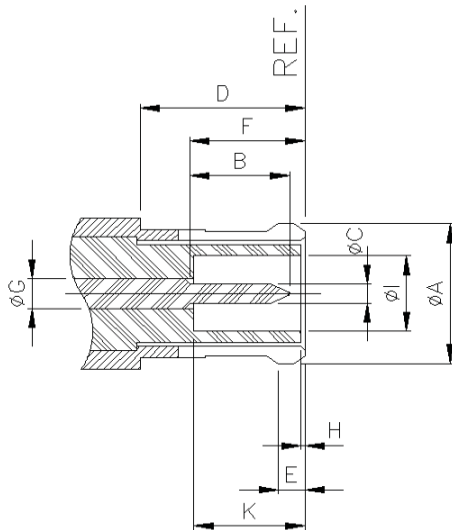
► GENERAL

- Push-pull snap-on mating
- Standard CECC 22220

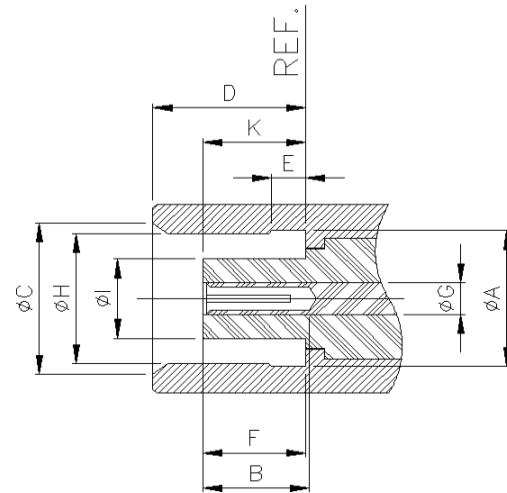


► INTERFACE DIMENSIONS

PLUG



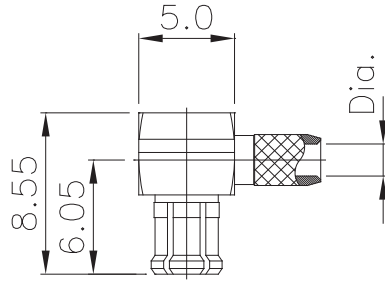
JACK



Rep.	PLUG				JACK			
	mm		inch		mm		inch	
	min.	max.	min.	max.	min.	max.	min.	max.
A	3.72	3.80	0.146	0.150	3.60	3.70	0.142	0.146
B	2.49	2.59	0.098	0.102	2.80		0.110	0.000
C	0.48	0.53	0.019	0.021	3.75	3.85	0.148	0.152
D	4.15		0.163	0.000	4.00	4.12	0.157	0.162
E	0.70	0.75	0.028	0.030	0.75	0.85	0.030	0.033
F	2.80	3.20	0.110	0.126	2.30	2.80	0.091	0.110
G	0.95		.037 nom.		0.95		.037 nom.	
H		0.30	0.000	0.012	3.42	3.48	0.135	0.137
I	2.00	2.07	0.079	0.081	1.80	1.98	0.071	0.078
K	2.80	3.20	0.110	0.126	2.60	2.80	0.102	0.110

► TECHNICAL DATA

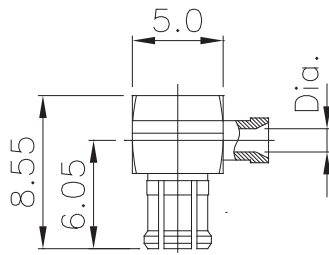
REQUIREMENT		SPECIFICATIONS	
ELECTRICAL CHARACTERISTICS			
Impedance		50 ohm, 75 ohm	
Frequency range		6 GHz	
V.S.W.R			
Working voltage	Straight	1.22	
	Right angle	1.50	
	Flexible cable(1.5mm single shield)	170V/50Hz	
	Flexible cable(2.6mm single shield)	335V/50Hz	
Dielectric withstanding voltage	Semi-rigid	250V/50Hz	
	Flexible cable(1.5mm single shield)	500V rms	
	Flexible cable(2.6mm single shield)	750V rms	
Insertion Loss	Semi-rigid	750V rms	
	Straight		:0.5 dB max.
	Right angle		:0.8 dB max.
Insulation resistance		1,000 Mohm min.	
Contact resistance		Initial	After
	Center contact	5.0 mohm	15.0 mohm
	Outer contact	2.5 mohm	7.5 mohm
Max. Contact current (DC)		2.0 A	
Mechanical and Environmental Characteristics			
Engagement force		63N MAX.	
Separation force		8N~20N	
Life time		500 matings	
Thermal Shock		CECC 22220 4-6-7	
Temperature cycling		CECC 22220 4-6-5	
High temperature test		CECC 22220 4-7-2	
Operating temperature range		-55°C + 155°C	
Materials			
Bodies		Brass	
Contacts(Female)		Beryllium copper	
Outer Contact(Male)		Beryllium copper	
Contacts(Male)		Brass	
Insulators		PTFE (Teflon)	
Plating			
Bodies		Gold Plated	
Center contacts		Gold Plated	
Contact Jack		Gold Plated	



Right Angle Plugs

■ Crimp Type

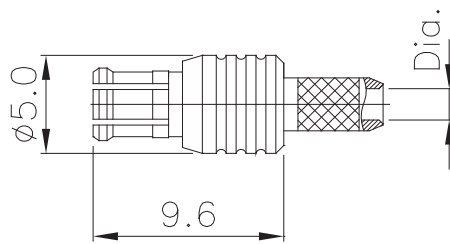
PART NO	Dia.	CABLE
S520-001	Ø1.0	RG 178
S520-002	Ø1.55 (Ø1.7)	RG 316



Right Angle Plugs

■ Direct solder type

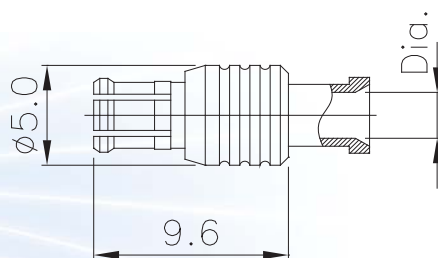
PART NO	Dia.	CABLE
S520-006	Ø1.3	UT 047
S520-007	Ø2.3	UT 085
S520-008	Ø3.7	UT 141



Straight Plugs

■ Crimp Type

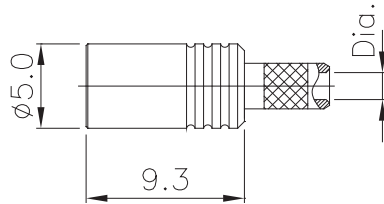
PART NO	Dia.	CABLE
S520-009	Ø1.0	RG 178
S520-010	Ø1.55 (Ø1.7)	RG 316(RG174)



Straight Plugs

■ Direct solder type

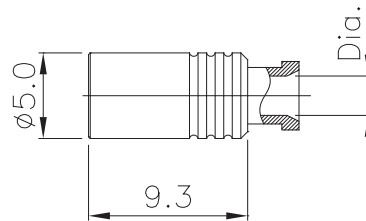
PART NO	Dia.	CABLE
S520-012	Ø1.3	UT 047
S520-013	Ø2.3	UT 085
S520-014	Ø3.7	UT 141



Straight Jacks

■ Crimp Type

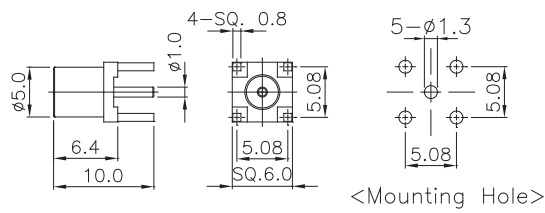
PART NO	Dia.	CABLE
S520-015	Ø1.0	RG 178
S520-016	Ø1.55 (Ø1.7)	RG 316(RG174)



Straight Jacks

■ Direct solder type

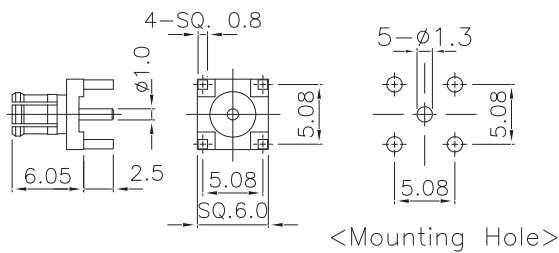
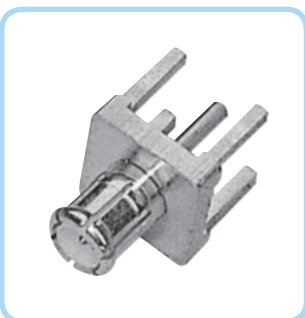
PART NO	Dia.	CABLE
S520-018	Ø1.3	UT 047
S520-019	Ø2.3	UT 085
S520-020	Ø3.7	UT 141



Straight Jack for PCB

■ P.C.B mount

PART NO	IMPED
S520-021	50 Ω

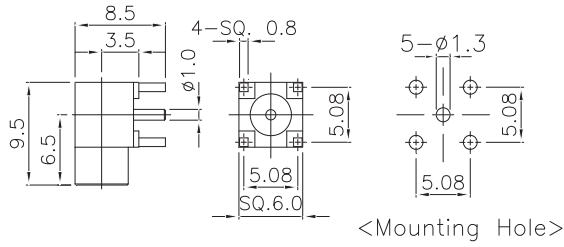


Straight Plug for PCB

■ P.C.B mount

PART NO	IMPED
S520-212-A	50 Ω

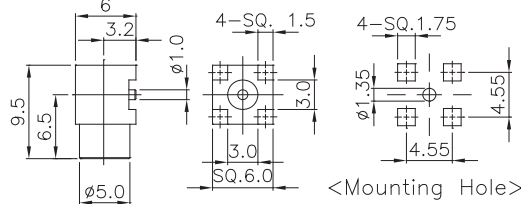
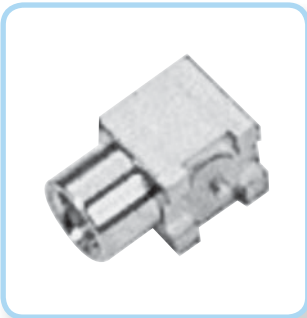
MCX



Right Angle Jack for PCB

■ P.C.B mount

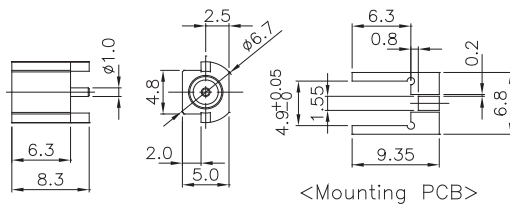
PART NO	IMPED
S520-023	50 Ω



Right Angle Jack for PCB

■ P.C.B SMD Type

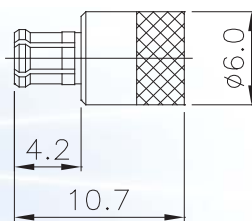
PART NO	IMPED
S520-024	50 Ω



Straight Jack for PCB

■ PCB end launch type

PART NO	IMPED
S520-2007	50 Ω



Plug Terminations

PART NO	IMPED
S520-059	50 Ω